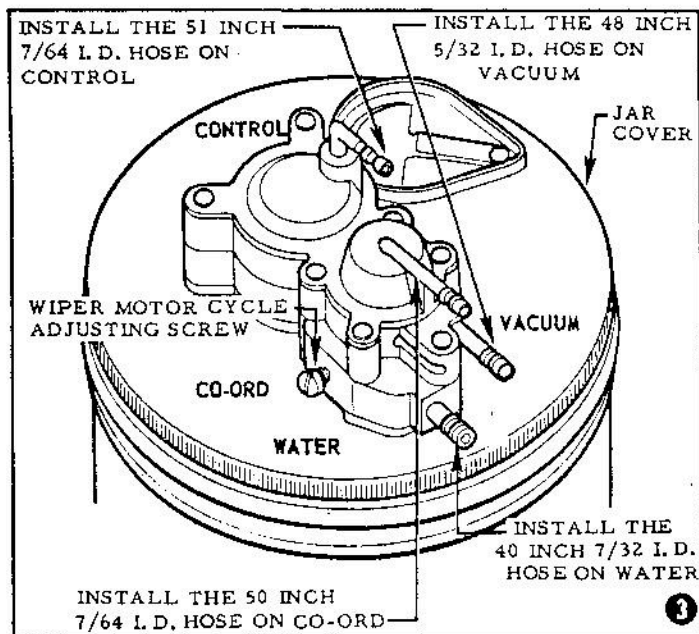
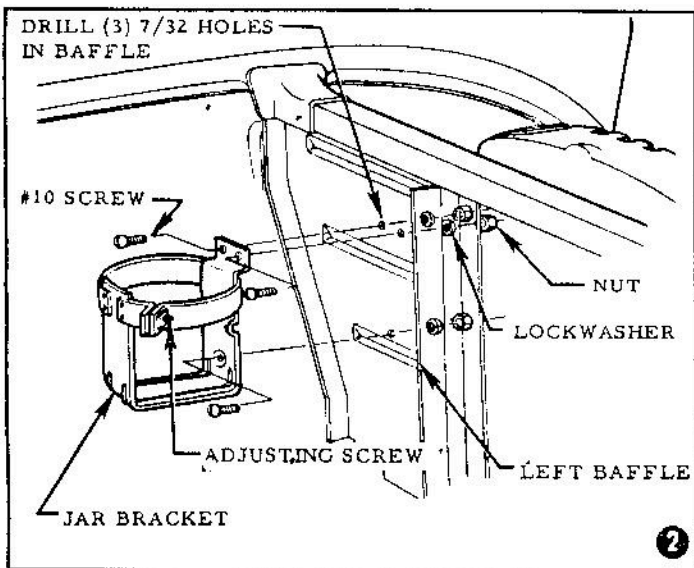
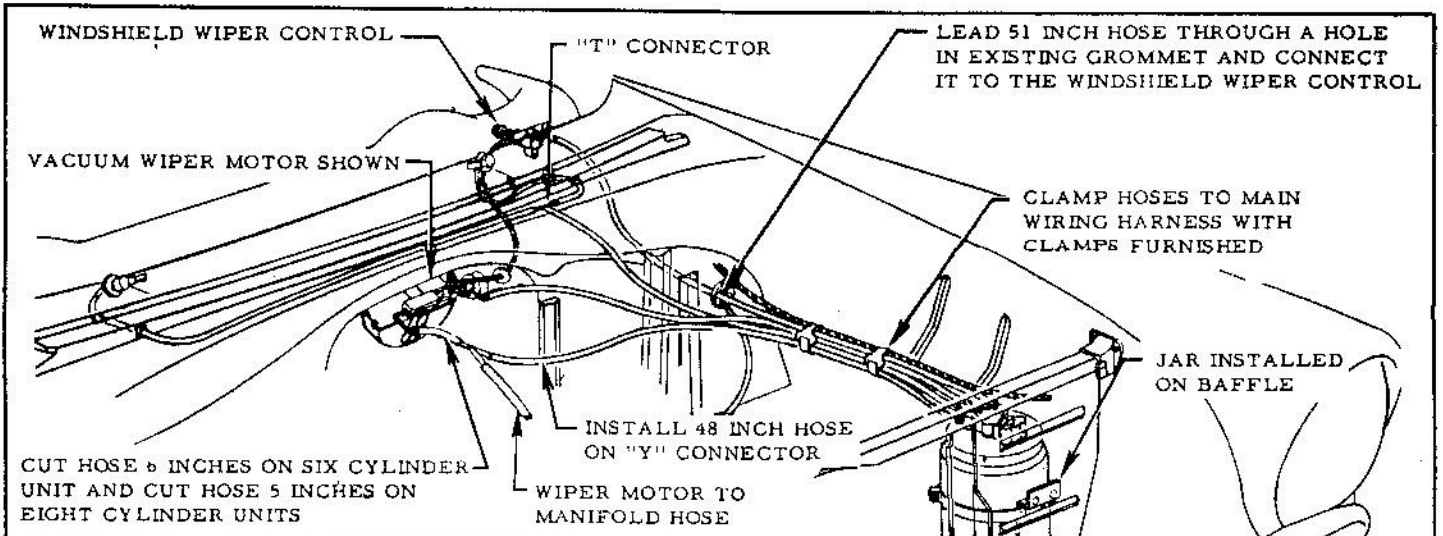


# WINDSHIELD WASHER INSTALLATION INSTRUCTIONS

ALL PASSENGER CARS



1. Drill (3) 7/32 inch diameter holes in the left front fender skirt baffle dimples located to the left of the radiator support and below the radiator cross brace.

2. Secure the jar bracket assembly to the baffle, using the (3) #10 machine screws, lockwasher and nuts provided in the package. See Illustration No. 2.

3. Install the jar in the bracket and tighten the retaining band with the adjusting screw.

4. Install the 40 inch long 7/32 I.D. hose to the water connector on the windshield washer jar assembly. See Illustration No. 3.

5. Install the 48 inch long 5/32 I.D. hose to the vacuum connector on the windshield washer jar assembly. See Illustration No. 3.

6. Install one 50 inch long length of 7/64 I.D. hose to the co-ordinator connector on the windshield washer jar assembly. See Illustration No. 3.

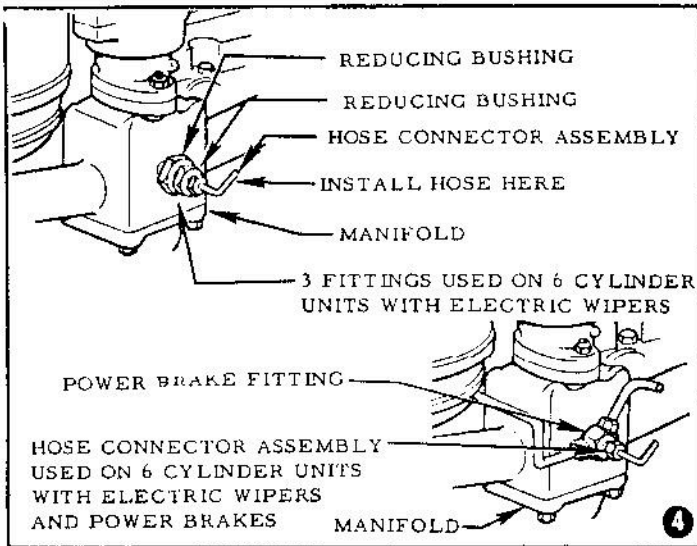
7. Install the 51 inch long 7/64 I.D. hose to the control connector of the windshield washer jar assembly. See Illustration No. 3.

8. Pierce one of the closed holes in the existing grommet in the dash panel and route the 51 inch long hose through. Install the end of the hose on the connector of the windshield wiper control. See Illustration No. 1.

9. Clamp the (4) hoses to the main wiring harness. See Illustration No. 1.

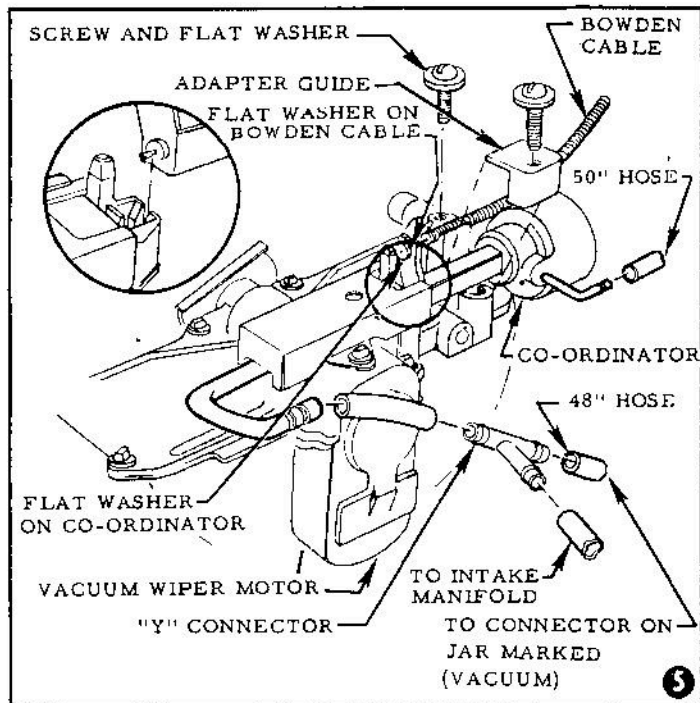
10. On six cylinder units, cut the vacuum wiper motor to manifold hose 6 inches from the vacuum wiper motor. On eight cylinder units, cut the hose 5 inches from the vacuum wiper motor. Install a "Y" connector to join the cut sections together. See Illustration No. 1.

11. Install the loose end of the 48 inch long 5/32 I.D. hose on the remaining outlet of the "Y" connector. See Illustration No. 1.



12. On six cylinder cars equipped with electric windshield wipers, remove the 1/2 inch pipe plug from the manifold, and replace it with the (3) fitting adapter unit furnished in the package. Install the 48 inch hose from the vacuum on jar to this fitting. See Illustration No. 4.

NOTE: For 6 cylinder cars equipped with power brakes, use only the hose connector assembly in place of the 1/8 inch pipe plug in the manifold fitting. See Illustration No. 4.

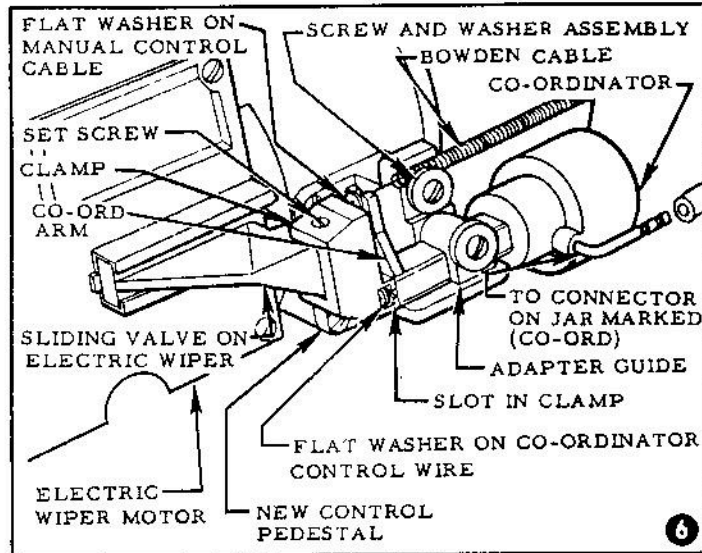


13. On cars equipped with vacuum windshield wipers, remove the screw and washer assembly and lift the instrument panel control knob bowden cable from the sliding valve slot. See Illustration No. 5.

14. Engage the small disc end of the co-ordinator wire into the sliding valve slot with the guide slot up. See Illustration No. 5.

15. Reinstall the instrument panel control knob bowden cable in the adjacent slot, putting the cable in the guide slot, with the cable end butting up against the stop provided in the guide. Secure in this new position, with the screw and washer assembly removed in Step No. 13. See Illustration No. 5.

16. Fasten the co-ordinator assembly to the wiper motor with the retainer, screw and washer assembly provided in the package. See Illustration No. 5.



17. For car equipped with electric windshield wipers, remove the screw and washer assembly and save. Lift the instrument panel control knob bowden cable from the slide valve slot. See Illustration No. 6.

18. Remove the (3) screws in the pedestal and save. Remove the pedestal and replace it with the one provided in the package. Fasten it with the (3) screws removed previously in this step.

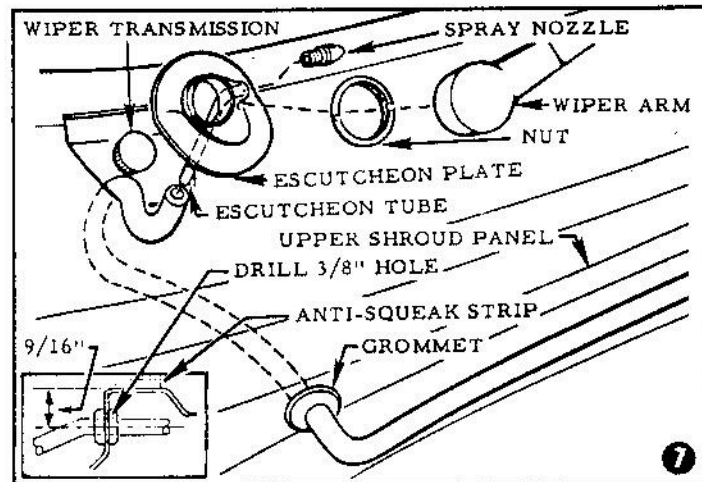
19. Install the clamp assembly provided in the package on the windshield wiper motor slide valve and fasten it with the set screw. See Illustration No. 6.

20. Engage the small disc end of the co-ordinator wire into the clamp assembly slot with the guide slot pointing upward. See Illustration No. 6.

21. Reinstall the instrument panel control knob bowden cable in the adjacent slot, putting the cable in the guide slot with the cable end butting up against the clamp assembly, secure in place with the screw and lockwasher removed previously.

22. For the electric wiper install the co-ordinator on the wiper the same as in Step No. 15.

23. Install the loose end of the 50 inch long 7/64 L.D. hose from the co-ordinator connector on windshield washer jar to the connector on the co-ordinator. See Illustration No. 6.



NOTE: Allow sufficient slack in the hose to permit the co-ordinator to move freely when the windshield wipers are operated manually.

24. Insert the center leg of the "Tee" connector into the end of the 40 inch long 7/32 L.D. hose. See Illustration No. 1.

25. Drill a 3/8 inch diameter hole in the upper shroud panel, with the center of the hole 9/16 inch below the hood anti-squeak, directly in line with the right hand windshield wiper. Drill a corresponding hole for the left hand windshield wiper. See Illustration No. 7.

26. Remove both wiper arms and the blade assemblies. See Illustration No. 7.

27. Remove the round nut from both escutcheon plates at the windshield wiper blades, and lift the escutcheon plates from the wiper transmissions. See Illustration No. 7.

28. Remove the plug from the side of each escutcheon plate, and in its place insert a spray nozzle. See Illustration No. 7.

29. Cut 10 inches from the remaining 50 inch long 7/64 L.D. hose furnished in the package. Insert the 10 inch piece of hose into the 3/8 inch diameter hole drilled in the left side of the upper shroud panel. Work the end of the hose up through the escutcheon hole and install it on the escutcheon tube. See Illustration No. 7.

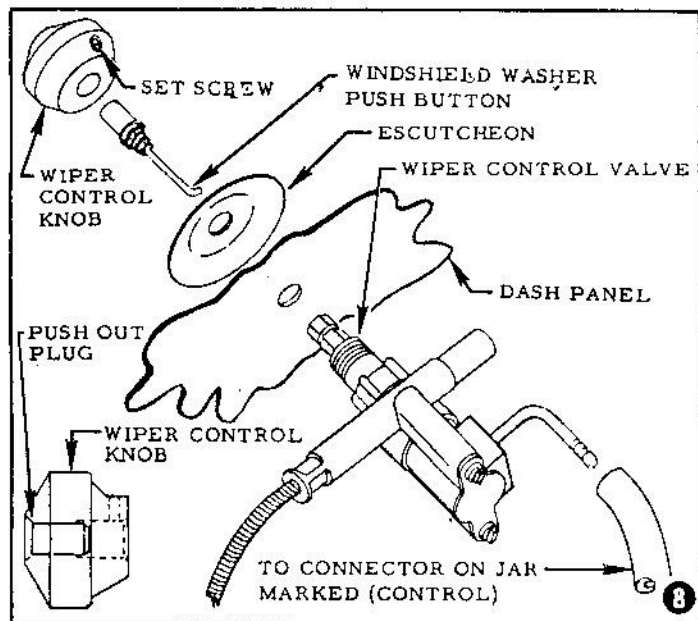
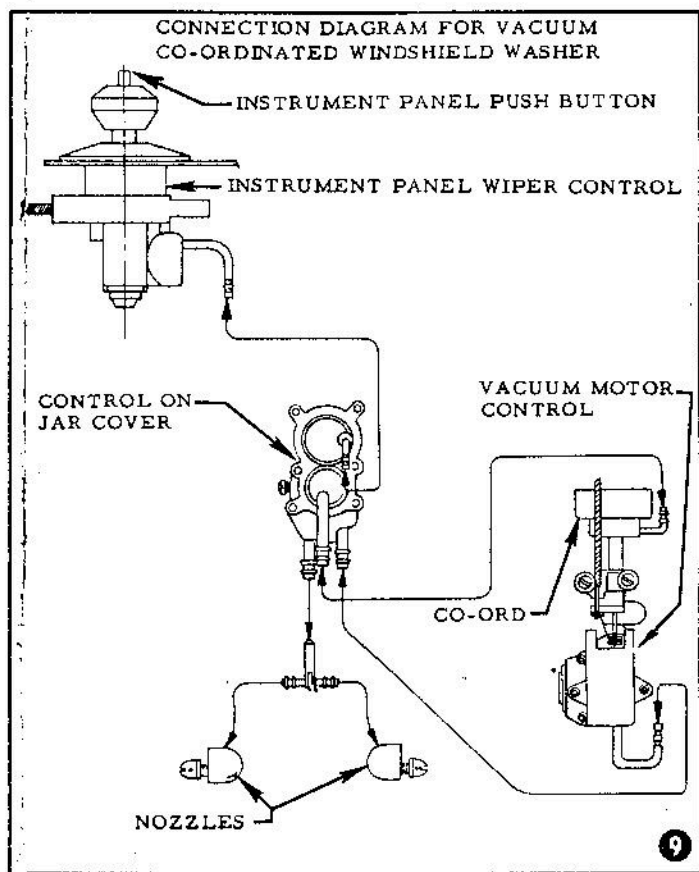
30. Insert an end of the 40 inch long hose into the right hand side 3/8 inch drilled holes and install the end of this hose over the escutcheon tube.

31. Reassemble the escutcheon plate, nut and the wiper arm and blade assemblies.

32. Install a grommet on each of the two hoses and work them up into the 3/8 inch diameter holes.

33. Connect the other end of the two hoses to the "Tee" connector. See Illustration No. 1.

30. The screw on the jar cover control is the wiper motor cycle adjusting screw, it is used for regulating the number of wiper strokes with each washer operation. See Illustration No. 3.



34. Remove the instrument panel windshield wiper control knob and push out the insert plug. Install the windshield washer push valve rod assembly in the wiper control and replace the control knob and tighten the set screw. See Illustration No. 8.

35. In the spring, summer and early fall pour one ounce of G. M. all season solvent in the jar and add water to fill it.

